

LED Landscape Light



TSL-GL48

AC110 277V 50Hz/60Hz PF > 0.95 Ra > 70 IP65

Features

- Die-cast aluminium housing
- Power :60W & 80W
- Luminous Efficiency: 130Lm
- Working Temperature:-35 °C ~+45 °C
- LED Lifespan :50,000 hours
- Mounting Spigot: φ89mm
- Light Post: 3.0/5 m optional
- Warranty: 3 years



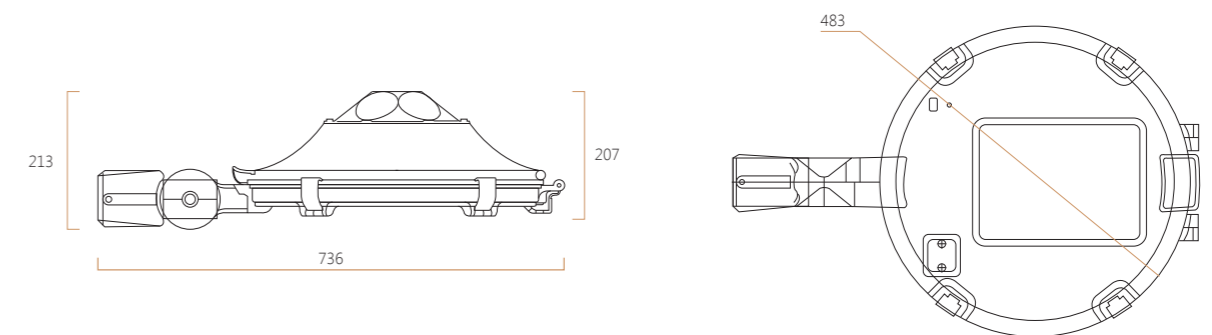
Advantages

- Robustly structure and classic outlook
- Asymmetric optical len with high transmittance rate
Anti-ageing powder coating and excellect anti-corrosion.
- Stainless steel clips for easy maintenance
Adjustable mounting adaptor

Technical specification

| Model | Power | LED Source | Lumen | CRI | CCT | Dimensions(mm) |
|-------------|-------|---------------|--------|-----|-------|----------------|
| TSL-GL48060 | 60W | Lumileds 3030 | 6600Lm | >70 | 5000K | 660×420×210 |
| TSL-GL48080 | 80W | Lumileds 3030 | 8800Lm | >70 | 5000K | 660×420×210 |

Outline Dimension



Light distribution Curve

