

## S60 SERIES 100W,120W,160W,200W&240W

### LED TECHNICAL DATA

Typical Luminous Flux&Efficiency @350mA;  
 130lm@25°C  
 Max Junction Temperature:  
 150°C  
 Color Temperature:  
 3500K-6500K  
 LED life Cycle  
 50,000 hrs.

### LUMINAIRE TECHNICAL DATA

LED light source :  
 1 LED modules × 60pcs XTE CREE (100W)  
 1 LED modules × 60pcs XTE CREE (120W)  
 2 LED modules × 60pcs XTE CREE (160W)  
 2 LED modules × 60pcs XTE CREE (200W)  
 2 LED modules × 60pcs XTE CREE (240W)  
 Luminous Flux :  
 100W-9500 lm  
 120W-11400 lm  
 160W-15200 lm  
 200W-19000 lm  
 240W-22800 lm  
 Housing Material :

Die Cast Aluminum withdurable polyester powder coating

Operating Temperature :

-30°C~+45°C

Power Dirver:

AC:100~295Vac 50/60Hz

Classification :

IP66 Class II

Protection:

Built-in external SPD

Mounting Bracket

Type A for pole mounted

Type B for wall mounted

Net Weight:

120W: 6.8KG

240W: 10.9KG

### COMPLIANCE STANDARD

Driver:

· UL/CUL,CE,EN55015,EN61000,EN61457

Luminaire:

· LM79,EN 60598-1,EN60598-2-3 ,

EN62471,EN62493,EN61000-3,EN61547

### APPLICATION

Outdoor Parking Lightings

Street Lightings

Commercial,Residential Lightings

### ORDER CODE

· TSL-S60-100W

· TSL-S60-120W

· TSL-S60-160W

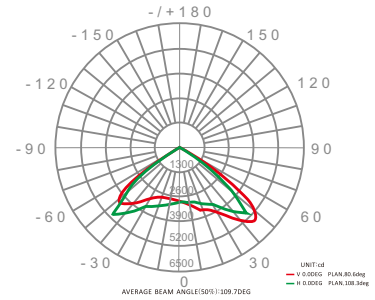
· TSL-S60-200W

· TSL-S60-240W

\*Please indicate color temperature when ordering.

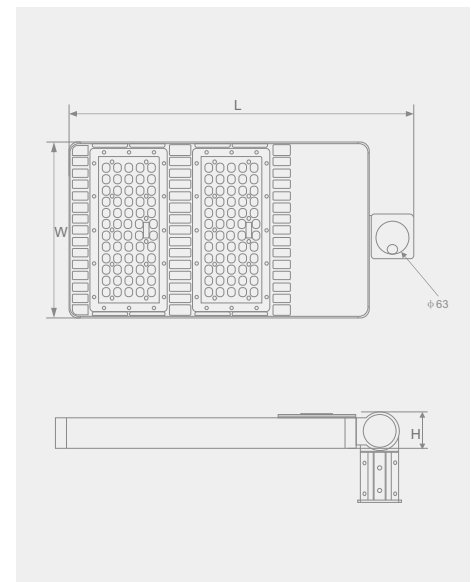
### PHOTOMETRIC

#### LIGHT DISTRLBUTION CURVE

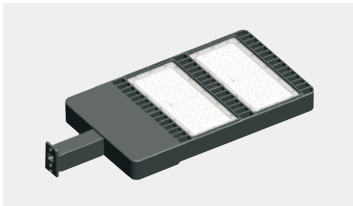
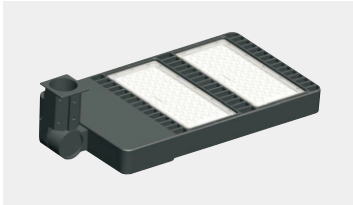


### DIMENSION

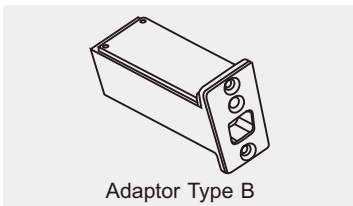
Code	No.of modules	L * W * H(mm)
S60-W100	1	443*343*144
S60-W120	1	443*343*144
S60-W160	2	744*343*144
S60-W200	2	744*343*144
S60-W240	2	744*343*144



Note: Specifications are subject to change without prior notice.



Adaptor Type A



Adaptor Type B