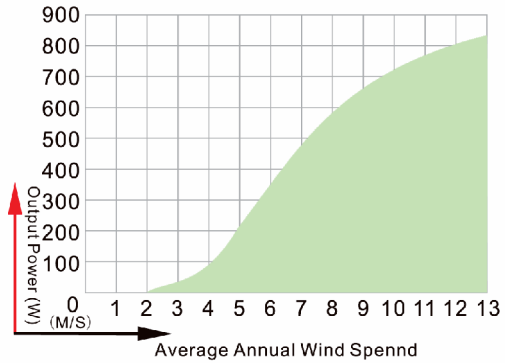
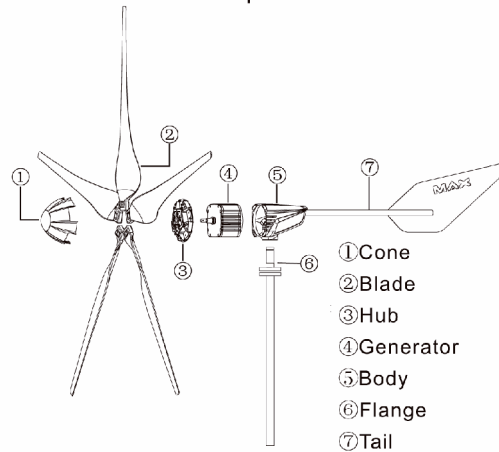


800W MAX Power Diagram

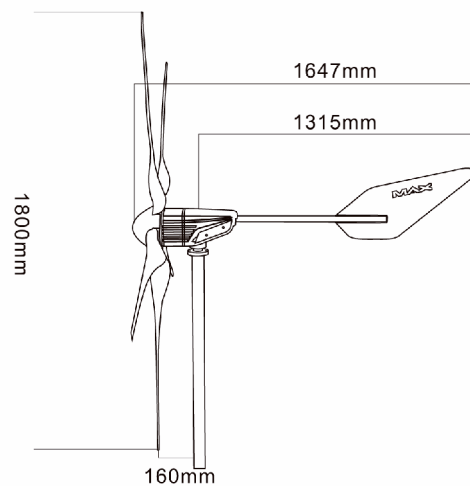
*Generated energy vary from different environment



MAX Exploded View



MAX Dimension



Model	MAX- 800W
Rated Output Power	800W
Maximum Outpower	950W
Rated Voltage	48V
Rated Current	16.7A
Rated Rpm	650
Start-up Wind Speed	1.5M/S
Cut-in Wind Speed	2.0M/S
Rated Wind Speed	12M/S
Survival Wind Speed	35 M/S
Rotor Diameter	1.8M
Blades	5 PC
Working Temperature	-40°C~150°C
Voise	<75dB(Average Wind Speed Of 5m/s)
Type Of Generator	Three Phase Permanent Magnet
Body	Cast Aluminum
Material Of Blades	Nylon Fiber Glass
Connection	Flange Connection
Controller	PWM/MPPT Controller
Overspeed Protection	The Controller Of Electromagnetic Braking Magnetic Damping And Blades Stall
Certificate	ISO9001:2008 CE RoHs
Warranty	3 Year
N.W	30KG
G.W	35.5KG
Shipping	1690*540*290mm