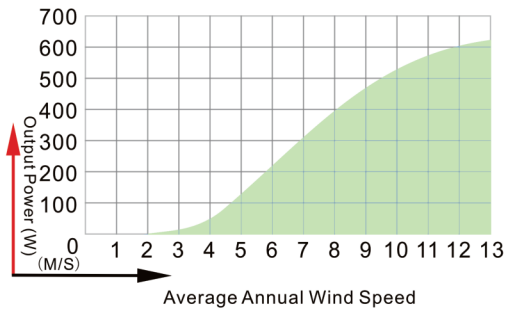


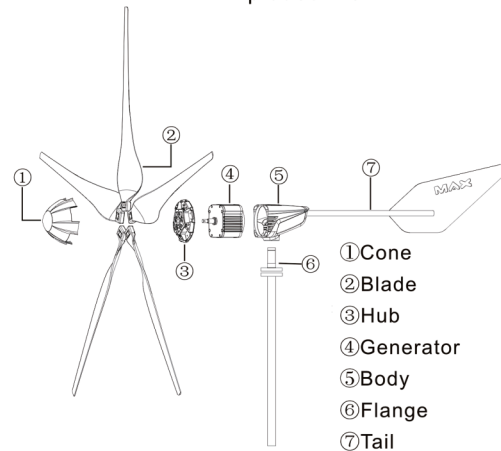


**600W MAX Power Diagram**

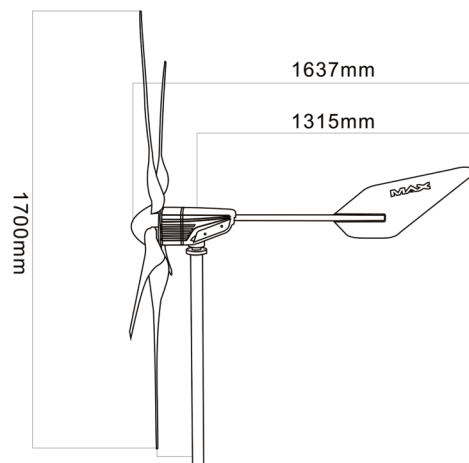
\*Generated energy vary from different environment



**MAX Exploded View**



**MAX Dimension**



Model	MAX- 600W
Rated Output Power	600W
Maximum Outpower	750W
Rated Voltage	24V
Rated Current	25A
Rated Rpm	650
Start-up Wind Speed	1.5M/S
Cut-in Wind Speed	2.0M/S
Rated Wind Speed	12M/S
Survival Wind Speed	35 M/S
Rotor Diameter	1.7M
Blades	5 PC
Working Temperature	-40°C~150°C
Noise	<75dB(Average Wind Speed Of 5m/s)
Type Of Generator	Three Phase Permanent Magnet
Body	Cast Aluminum
Material Of Blades	Nylon Fiber Glass
Connection	Flange Connection
Controller	PWM/MPPT Controller
Overspeed Protection	The Controller Of Electromagnetic Braking Magnetic Damping And Blades Stall
Certificate	ISO9001:2008 CE RoHs
Warranty	3 Year
N.W	28.5KG
G.W	33KG
Shipping	1690*540*290mm